

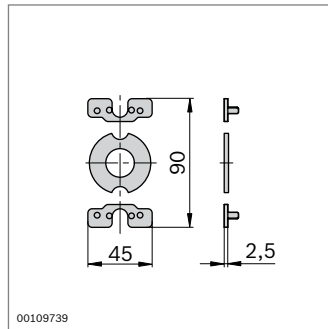
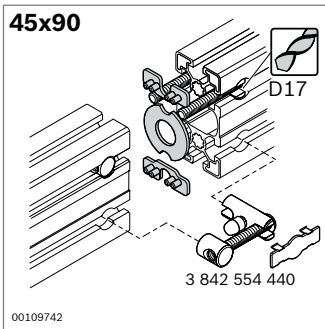
### Longitudinal end connection



- ▶ Seal for end-to-end connection of profiles carrying compressed air
- ▶ Profile finishing: through-hole D17 (45x90, 45x180); blind hole LF (90x90L)
- ▶ For a maximum pressure ( $p_{max}$ ) of 8 bar

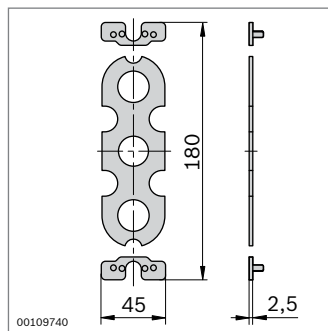
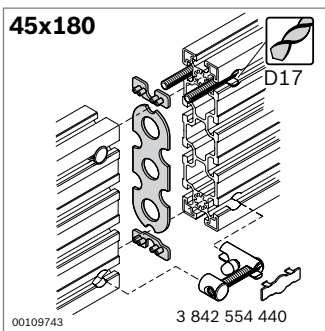
Required accessories:

Longitudinal end connector for profile connection (p. 3-58)



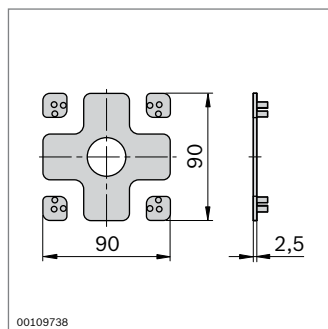
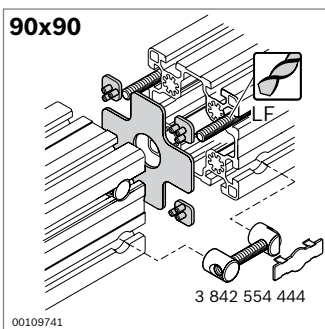
| Longitudinal end connection | No.                  |
|-----------------------------|----------------------|
| <b>45x90</b>                | <b>3 842 508 087</b> |

Material: Seal: PUR  
Spacer: PA  
Scope of delivery: seal, 2 x spacer



| Longitudinal end connection | No.                  |
|-----------------------------|----------------------|
| <b>45x180</b>               | <b>3 842 508 088</b> |

Material: Seal: NBR  
Spacer: PA  
Scope of delivery: seal, 2 x spacer



| Longitudinal end connection | No.                  |
|-----------------------------|----------------------|
| <b>90x90</b>                | <b>3 842 510 145</b> |

Material: Seal: NBR  
Spacer: PA  
Scope of delivery: seal, 4 x spacer

**Note:** Only suitable for light profile 90x90L.